

Datasheet System88

Release date : 12-06-2013

Revision date : 21-06-2023

General information

System88 is a safe and flexible system to transport pipes by train or truck. This system can easily be adjusted for different pipe diameters. It is made out of LDPE and is safe for coated pipes.

Application

The base-section is placed on trailer or truck bed. After loading the bottom pipes, the mid-section is placed on top for the next layer of pipes. Pyramid stacking on the base-section is also possible.

Available sizes

Basic blocks

Block:	Diameter range:	Weight:
Type A	Ø 219,1mm – 558,8mm (8.63" - 22")	1,8kg (3.97lbs)
Type B	Ø 406,4mm – 965,2mm (16" - 38")	3,7kg (8.16lbs)
Type C	Ø 558,8mm – 1.422,4 (22" – 56")	7,5kg (16.5lbs)
Type D	Ø 1.422,4mm – 2.032mm (56" - 80")	12,0kg (26.5lbs)
*Raising Block	Ø2.032mm-3.657,6mm (80" – 144")	30kg (66lbs)

*Addition for Block D: Raising Block

Raising Block is available for Block D, it adds 140mm height to this block, preventing the pipe from hitting the steel profile.

Mid blocks

Block:	Diameter range:	Weight:
Type K	Ø 219,1mm – 558,8mm (8.63" - 22")	2,8kg (6.17lbs)
Type L	Ø 406,4mm – 1.219,2mm (16" - 48")	7,4kg (16.3lbs)



Fig. 1 System88 base and mid-section

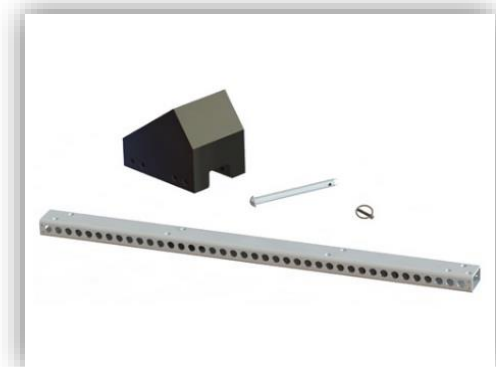


Fig. 2 System88 rails, block, pin & clip

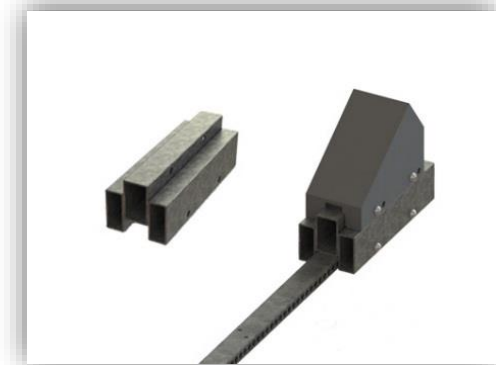


Fig. 3 Raising Block & Raising Block with Block D

Manufacturing & Sales Company

DHATEC BV
 Dragonder 19
 5554 GM Valkenswaard
 The Netherlands

T: +31 (0)497 542 527
 E: info@dhatec.nl
 I: www.dhatec.nl
 www.sealforlife.com


SEALFORLIFE
 Industries

Features

- ✓ Adjustable for every diameter between 219,1mm – 3.657,6mm (8" – 144")
- ✓ Durable, safe for long term use in all weather conditions
- ✓ Reliable: design according to VD12700 and TÜV approved
- ✓ Reusable and therefore economically attractive
- ✓ Requires little storage space only

Material specifications

Steel profile	: Zinc plated steel S275J2, length: 2,70m or 2,45m (8.9ft or 8.0ft)
	: Square tube: 80mm x 50mm x 5mm (3.15"x 1.97" x 0.20") approx. 20kg (44lbs)
	: UV-stabilized
Locking pin	: Zinc plated steel Grade 8.8 Ø 20mm (0.79")
Blocks	: PE-compound, colour: Black
	: Frictional resistance factor (F.r): 0,3
	: Frictional resistance factor (F.r.): with Anti-skid rubber: 0,6
	: Mounting holes in each block
	: UV-stabilized
Raising Block	: Zinc plated steel S355
	540mm x 201mm x 191mm (21.26" x 7.91" x 7.52")
Product range	: 219,1mm – 3.657,6mm (8" – 144")
Product code	: 88
Commodity / HS code	: 73269040

Additional information

- Maximum load on Block **A** = 3.935kg (8,675lbs)
Block **B C D** – 7.875kg (17,361lbs)
Block **K** = 3.150kg (6,944lbs)
Block **L** = 4.725kg (10,416lbs)
(Each pipe to be supported by a minimum of 4 blocks)
- Detailed instructions and settings are available
- Heat resistant blocks on request
- Anti-skid rubber available for higher frictional resistance
- Systems available for fixating System88 on trailer or wagon
- For larger diameters, raising blocks are to be used
- Static and dynamic-calculations certified by:



Copy of certificate available on request

Manufacturing & Sales Company

DHATEC BV
Dragonder 19
5554 GM Valkenswaard
The Netherlands

T: +31 (0)497 542 527
E: info@dhatec.nl
I: www.dhatec.nl
www.sealforlife.com

